

Specifications SLTR5SS

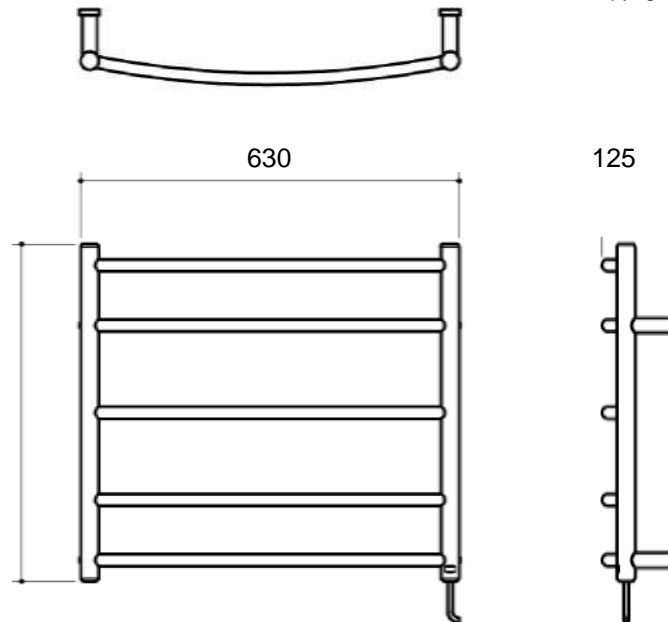
SERENE

Classic 5 Bar Polished Stainless Steel Heated Ladder Towel Rail

Heater Dimensions

Width:	630mm
Height:	560mm
Depth:	125mm
Weight:	2.0 kg

Copyright © 2013 Serene Industries Limited



Electrical Specifications

Supply:	230-240 Volts a.c. 50 Hz
Wattage:	45-50 Watts
Wiring:	0.9 metre 2-core supply flex / plug for either permanent connection or plug-in, where permissible.

Configured Right or Left supply Cord
Concealed cord entry Double insulated -
Class II

Ingress Protection Rating: IP34 - Splash-proof

Operation

Designed for continuous running

Features

- Round tubular polished stainless steel frame
- 4 stainless steel wall mounting brackets
- Blue LED power indicator/night light

Finish

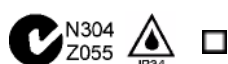
Polished stainless steel frame, with chrome plated fittings and white supply flex.

Approval

Certificate of Suitability: CS8774N

Serene Industries Limited reserve the right to alter specifications without notice.

Contact Information:



Serene Industries Limited
t: +64 (3) 344 5550 | f: 0800 437 264
e: nzenquiry@serene-ind.com
w: www.serene-ind.com



PO BOX 33501,
Barrington Christchurch

Specifications SLTR7SS

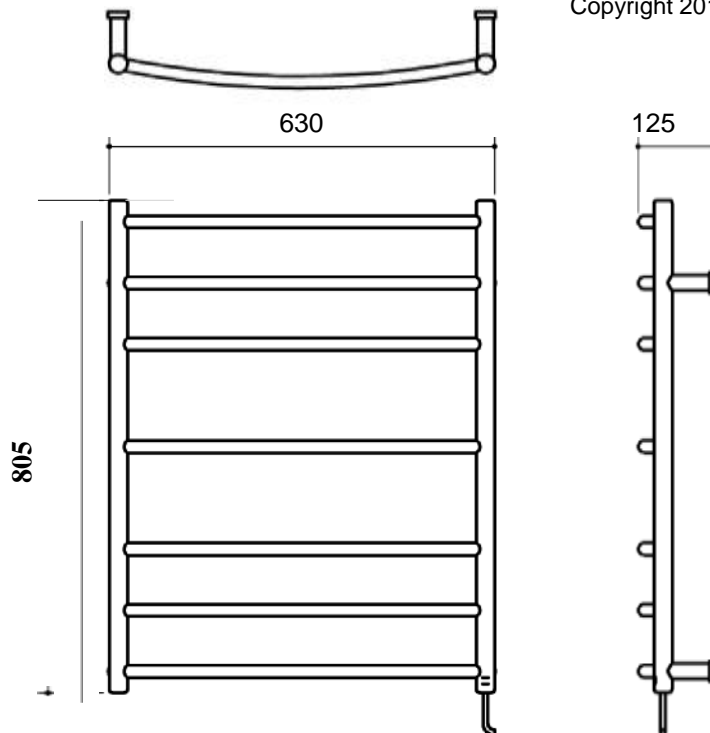
SERENE

Classic 7 Bar Stainless Steel Heated Ladder Towel Rail

Heater Dimensions

Width:	630mm
Height:	805mm
Depth:	125mm
Weight:	2.5 kg

Copyright 2013 Serene Industries Limited



Electrical Specifications

Supply:	230-240 Volts a.c. 50 Hz
Wattage:	65-70 Watts
Wiring:	0.9 metre 2-core supply cord set for either permanent connection or plug-in, where permissible.

Configured Right or Left supply cord.
Concealed cord entry. Double insulated -
Class II

Ingress Protection Rating: Ipx 34 - Splash-proof

Operation

Designed for continuous running

Features

- Round tubular polished stainless steel frame
- 4 stainless steel wall mounting brackets
- Blue LED power indicator/night light

Finish

Polished stainless steel frame, with chrome plated fittings and white supply flex.

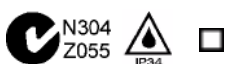
Approval

Certificate of Suitability: CS8774N

Serene Industries Limited reserve the right to alter specifications without notice.

Contact Information:

Serene Industries Limited
t: +64 (3) 344 5550 | f: 0800 437 264
e: nzenquiry@serene-ind.com
w: www.serene-ind.com
PO BOX 33501,
Barrington Christchurch



2013 edition



specifications SLTR9SS

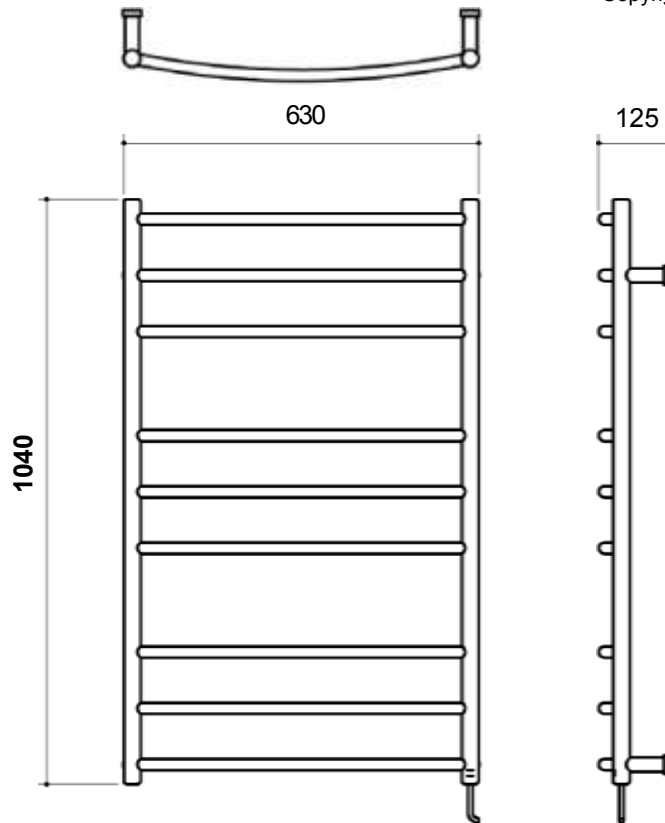
SERENE

9 Bar Stainless Steel Heated Ladder Towel Rail

Heater Dimensions

Width:	630mm
Height:	1040mm
Depth:	125mm
Weight:	3.1 kg

Copyright © 2015 Serene Industries Limited



Electrical Specifications

Supply:	230-240 Volts a.c. 50 Hz
Wattage:	87-95 Watts
Wiring:	0.9 metre 2-core supply flex / plug for either permanent connection or plug-in, where permissible.

Configuration is supply flex on R/H –L/H side
Double insulated - Class II

Ingress Protection Rating: IP34 - Splash-proof

Operation

Designed for continuous running

Features

- Round welded tubular stainless steel frame
- 4 stainless steel wall mounting brackets
- LED power indicator

Finish

Polished stainless steel frame, with chrome plated fittings and white supply flex.

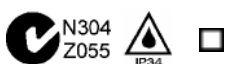
Approval

Certificate of Suitability: CS8774N

SERENE Industries Limited reserve the right to alter specifications without notice.

Contact Information:

Serene Industries Limited
t: +64 (3) 344 5550 | f: 0800 437 264
e: nzenquiry@serene-ind.com
w: www.serene-ind.com
PO BOX 33501,
Barrington Christchurch



Revised March. 2015



specifications

SLTR11SS

SERENE

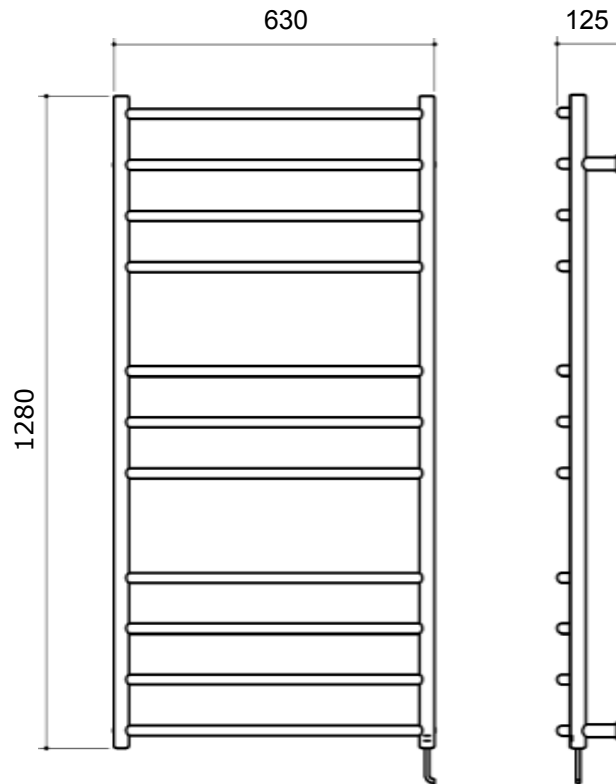
11 Bar Stainless Steel Heated Ladder Towel Rail



Heater Dimensions

Width:	630mm
Height:	1280mm
Depth:	125mm
Weight:	3.8 kg

Copyright © 2015 Serene Industries Limited



Electrical Specifications

Supply:	230-240 Volts a.c. 50 Hz
Wattage:	105-115 Watts
Wiring:	0.9 metre 2-core supply flex / plug for either permanent connection or plug-in, where permissible.

Standard configuration is supply flex on R/H
Double insulated - Class II

Ingress Protection Rating: IP34 - Splash-proof

Operation

Designed for continuous running

Features

- Round tubular stainless steel frame
- 4 stainless steel wall mounting brackets
- LED power indicator

Finish

Polished stainless steel frame, with chrome plated fittings and white supply flex.

Approval

Certificate of Suitability: CS8774N

Serene Industries Limited reserve the right to alter specifications without notice.

Contact Information:

Serene Industries Limited
t: +64 (3) 344 5550 | f: 0800 437 264
e: nzenquiry@serene-ind.com
w: www.serene-ind.com
PO BOX 33501,
Barrington Christchurch



Revised 7 March 15

