

Installation Manual

Simplice'

INSTANT UNIVERSAL FITTING RAIL RANGE



Classic Round Profile Rails
with ECO switch and Light

Models: **CC5 CC7**

Safety Information:



This appliance is not intended for use by persons (including children) with reduced physical, sensory or mental capabilities, or lack of experience and knowledge, unless they have been given supervision or instruction concerning use of the appliance by a person responsible for their safety.

When using any electrical appliance, safety precautions should always be observed. Read these instructions carefully, and retain for future reference.

When used by, or near, young children or infirm persons, supervision is necessary and young children should be supervised to ensure that they do not play with the appliance.

- Use this appliance only with the voltage specified on rating label.
- Do **NOT** use this appliance other than for its intended use.
- Do **NOT** touch hot surfaces or moving parts.
- Do **NOT** cover the grilles or place any object or material up against the unit, as this may block entry or exhaust of air.
- Do **NOT** probe any opening.

To ensure trouble free performance it is recommended that on a regular basis the unit be isolated from the power supply and a vacuum cleaner used to remove dust from the inlet and outlet grilles.

Caution:

When the heater is operated ensure the heater is not obstructed in any way. Ensure the heater can operate safely, should the heater switch on when the ambient temperature drops, or a timer activates the heater.

- Do **NOT** allow the supply cord to come into contact with heated surfaces during operation.
- Regulations require that electrical work be carried out by authorised persons. For your own safety and that of others, ensure this is done.
- If the supply cord becomes damaged, it must be replaced by a qualified person, in order to avoid a hazard.

Installation

This appliance **MUST** be installed in accordance with the relevant wiring rules and regulations which cover installation of appliances and accessories in damp situations such as bathrooms, showers, laundries and other areas with fixed water supply.

Wiring

The Heated Ladder Towel Rail is supplied with a 900mm supply cord. This Class II appliance does **NOT** require Earthing. Where protected by an RCD, the Heated Towel Rail can be plugged directly into a socket outlet, otherwise permanent connection to the supply via a permanent connection unit is required. On directly wired models, a suitable disconnection device (acting in all supplies) **MUST** be incorporated in the fixed supply wiring.

Distances

In order to avoid a hazard for young children, this appliance **SHOULD** be installed so that the bottom rail is at least 600mm above the floor.

The side frames of the Towel Rail should be mounted vertically, with the heated rails horizontal and the supply cord at the bottom.

To Install the Simplice Rail

Remove all the packing material from around the towel rail and retrieve the fixing screws and adhesive dots from inside the plastic bag taped to the power cord.

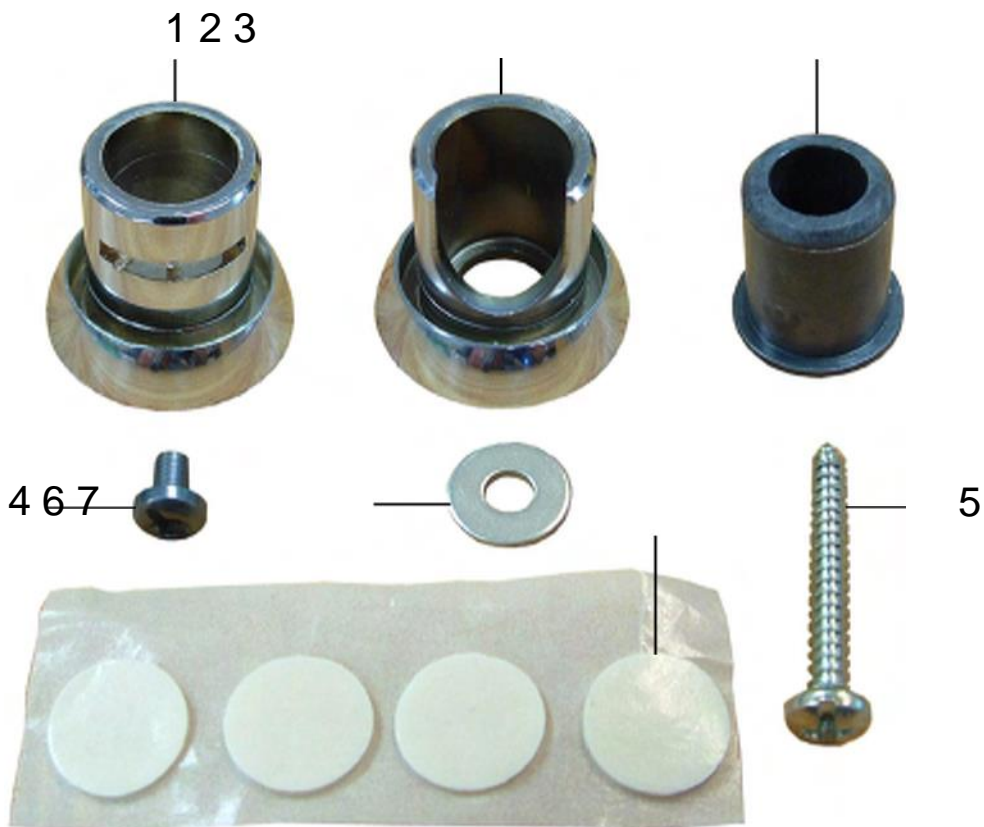
Establish a suitable position on the wall for attaching the towel rail, with at least two of the leg mounting brackets aligned with wall studs or dwangs.

Components

The Heated Ladder Towel Rail is supplied with the following installation components:

Item Description & Quantity	
1	Standard Mounting Bracket - 3
2	Cable Mounting Bracket - 1
3	Mounting Base Extension - 1
4	Leg Fixing Screw (short)
5	Wall Fixing Screw (long)
6	Flat Washer
7	Adhesive Dots - 4

Table 1: Installation Components



Visible Supply Cord

The supply cord exits through the bottom of the mounting leg (see Figure 2 below).

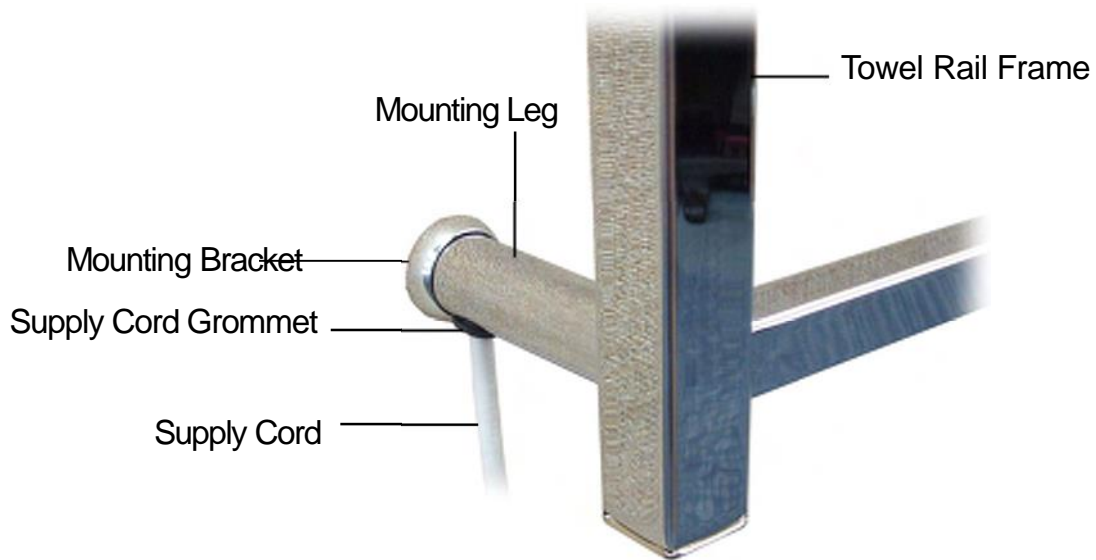


Figure 2: Visible Supply Cord Round or Square profile

When installing the Towel Rail with the Supply Cord visible, the Cable Mounting Bracket (item 2) must be fitted to the wall with the Flat Washer (item 6) fitted inside the Bracket and with the slot in the Bracket facing downwards to clear the supply cord (see Figure 3 below).

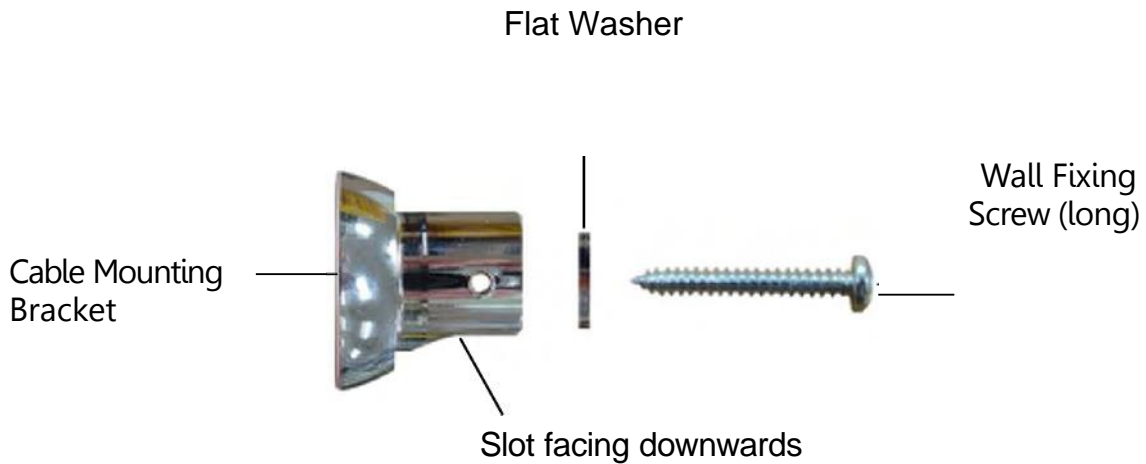


Figure 3: Cable Mounting Bracket Fixing (for visible supply cord)

Follow the instructions on the following page to install the Towel Rail with visible Supply Cord.

Simplice Rails

.Serene Classic Ladder Rail - Round Profile

To install your Simplice Rail with visible supply cord:

1. Firstly, establish a suitable position on the wall for attaching the Towel Rail, with at least two leg Mounting Brackets aligned with wall studs or dwangs.
2. Remove the Cable Mounting Bracket from the Towel Rail by undoing the side Leg Fixing Screw.
3. Attach the Cable Mounting Bracket to the wall, ensuring the slot is facing downwards. Fit the Flat Washer (supplied) inside the Bracket (see Figure 3 on page 6) and attach to the wall with either a Wall Fixing Screw (supplied) or a suitable wall fixing plug.
4. Attach one of the Adhesive Dots (supplied) to the back of each of the remaining three Mounting Brackets and remove the protective paper backing.
5. Insert the remaining three Mounting Brackets into the frame mounting legs. Ensure the rectangular fixing slot, in each Mounting Bracket, faces downwards.
6. Fit the Towel Rail frame leg onto the Cable Mounting Bracket, already screwed to the wall, ensuring the Supply Cable Grommet engages firmly into the Mounting Bracket. If necessary use a level to align the Towel Rail in the desired position, before pressing firmly against the frame to adhere the remaining three Mounting Brackets to the wall.
7. Pull the Towel Rail frame away, leaving the Mounting Brackets attached to the wall.
8. Attach the remaining three Mounting Brackets to the wall using the three Wall Fixing Screws (supplied).
9. Refit the Towel Rail frame over the Mounting Brackets and lock in place with the four Leg Fixing Screws (supplied).
10. Either connect the supply cord to a socket outlet or, if installed in a bathroom, have an authorised person connect the supply cord to a switched permanent connection unit.

Concealed Supply Cord

The supply cord can be concealed inside the bottom mounting leg of the Towel Rail and wired directly into the wall.

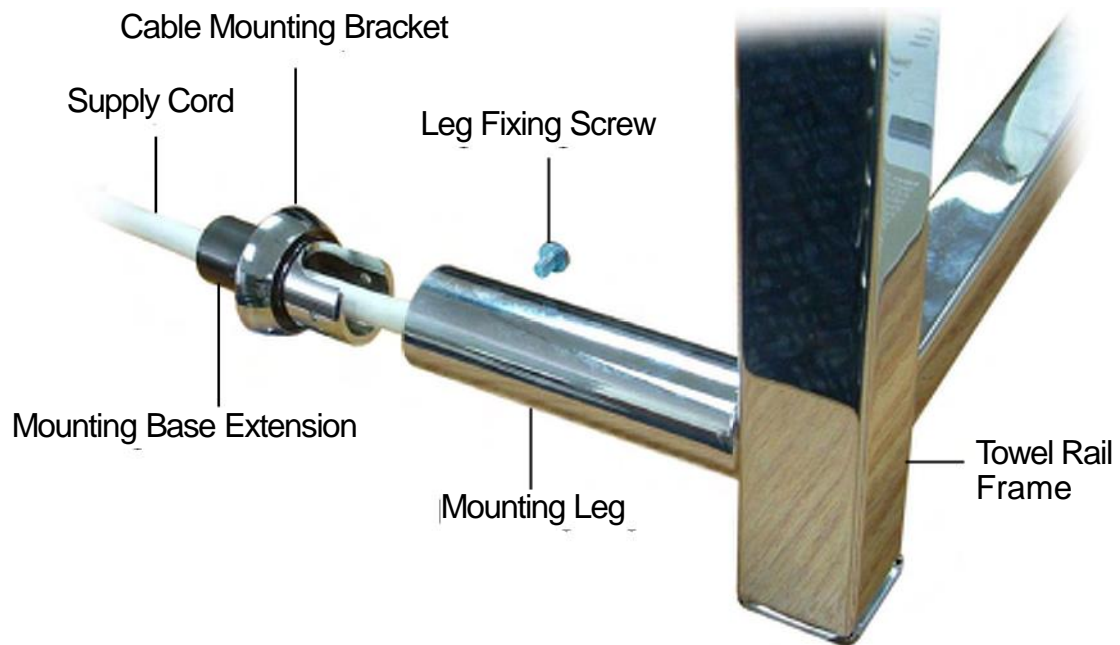


Figure 4: **Concealed Supply Cord Installation**
Square or Round profile

Before installing the Towel Rail with the concealed Supply Cord:

1. Remove the Cable Mounting Bracket from the Towel Rail by undoing the side Leg Fixing Screw.
2. Channel the cord from the center grommet either left or right and push into the grommet on the rail mounting leg.
3. Slide the Supply Cord Grommet out of the slot in the bottom mounting leg and remove the
4. Feed the Supply Cord through the centre of the Cable Mounting Bracket (see Figure 4).
5. Rotate the Cable Mounting Bracket so the slot underneath the mounting leg is blanked off.
6. Screw the Cable Mounting Bracket to the mounting leg with the side Leg Fixing Screw.

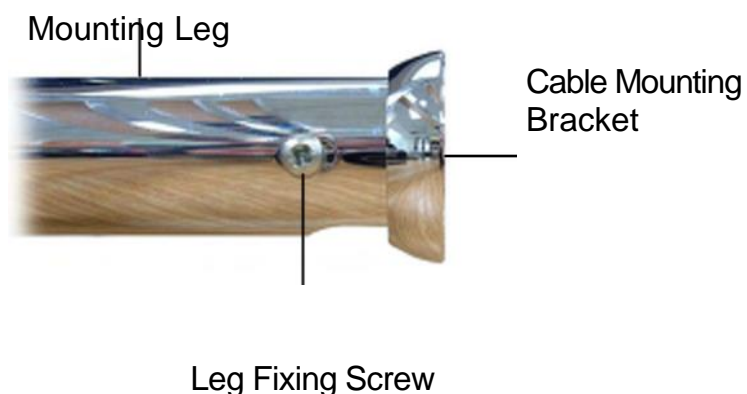
To install the Towel Rail on the wall, follow the instructions on the following page.

To install with concealed supply cord:

Establish a suitable position on the wall for attaching the Towel Rail, with at least two leg Mounting Brackets aligned with wall studs or dwangs. Mark the wall with the location of the Concealed Cable Mounting Bracket.

1. The recess in the back of the Cable Mounting Bracket fits over the flange of the Mounting Base Extension so you will need to drill a Ø16mm hole in the wall to accommodate the Extension. If the hole coincides with a wall stud it will be necessary to drill a hole out of the side of the stud to allow the Supply Cord to exit.
2. Push the Mounting Base Extension into the Ø16mm hole firmly until the back of the flange is flush with the wall.
3. Feed the Supply Cord into the wall through the Mounting Base Extension.
4. Continue with installation as per 'Visible Supply Cord', steps 3 to 9, on page 7.
5. It may be necessary to adjust the Cable Mounting Bracket so that it fits flush against the wall. This can be done by loosening the side Leg Fixing Screw and moving the Bracket forwards or backwards (see Figure 5 below).
6. The wiring must then be connected to a suitable connection unit. A suitable disconnection device (acting in all supplies) **MUST** be incorporated in the fixed supply wiring.

Figure 5: **Cable Mounting Bracket Adjustment**



Simplice Rails

Serene Ladder Rail - Round Profile

Optional Spacers

Optional 8mm Spacers (Part No. TUR9346-2) are available to space the top Mounting Brackets when the bottom half of the wall is tiled (see Figure 6 below).

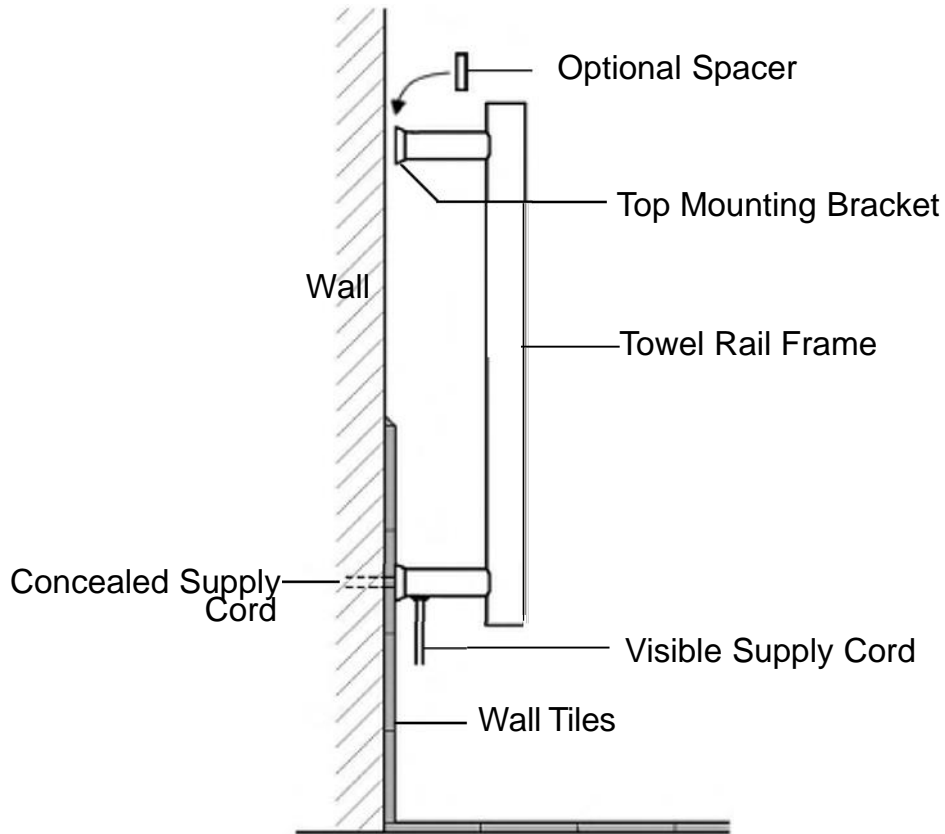
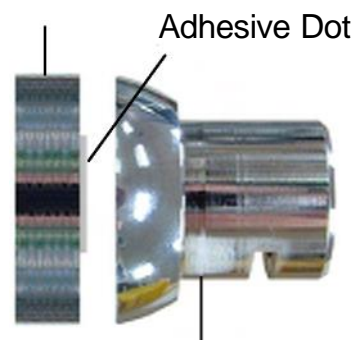


Figure 6: Optional Spacer Installation to fit the optional Spacers:

1. Before attaching the two top Mounting Brackets to the wall, remove the paper backing from the adhesive dot on each of the optional Spacers. Then press the Spacer firmly and centrally on to the top Mounting Bracket.

2. Continue with installation as per 'Visible Supply Cord', steps 3 to 9, on page 7.

Optional Spacer



Top Mounting Bracket

**Figure 7:
Attaching Optional Spacer**

3 Specifications

Dimensions					
Model	Height	Width	Depth	Weight	Wattage
CC5	560mm	630mm	107mm	4.0 kg.	35-40 W
CC7	805mm	525mm	107mm	4.8 kg.	75-80 W

Electrical
Supply: 230-240 V 50 Hz, single phase
Insulation Class: Class II - Double Insulated
Wiring: 900mm 2-core supply cord.
Controls: ECO switch reduce power consumption by 30%.
Designed for continuous operation.

Construction
Ingress Protection Rating: IP34 - Splash-proof
Finish: Laser cut Polished stainless steel frame with chrome plated fittings and 900mm supply cord.

Operation

Your Serene Heated Ladder Towel Rail costs approximately the same to run as a 100 Watt light bulb. It will take approximately 45 minutes to reach normal operating temperature. The power consumption can be reduced by 30% with the ECO switch.

Maintenance

The Heated Ladder Towel Rail is best wiped down, from time to time, with a damp cloth. Do **NOT** use any abrasive or corrosive cleaners.

The supply cord on this product cannot be replaced without damaging the appliance. If the supply cord becomes damaged contact a properly qualified electrician.

Contact :

UNITED KINGDOM

t: +44 01924 497794

e: ukinfo@serene-ind.com

w: www.serene-ind.com

NEW ZEALAND

Serene Industries Limited

t:+64 (3) 344 5560

f: 0800 437 264

e: nzenquiry@serene-ind.com

w: www.serene-ind.com

on, **AUSTRALIA**

e: info@serene-ind.com

w: www.serene-ind.com

HONG KONG

t: +852 2325 3210

f:+852 2325 3166

e: info@serene-ind.com

w: www.serene-ind.com

Copyright © 2018 Serene Industries Limited.

Serene Industries Limited reserve the right to alter specifications without notice