

Specifications

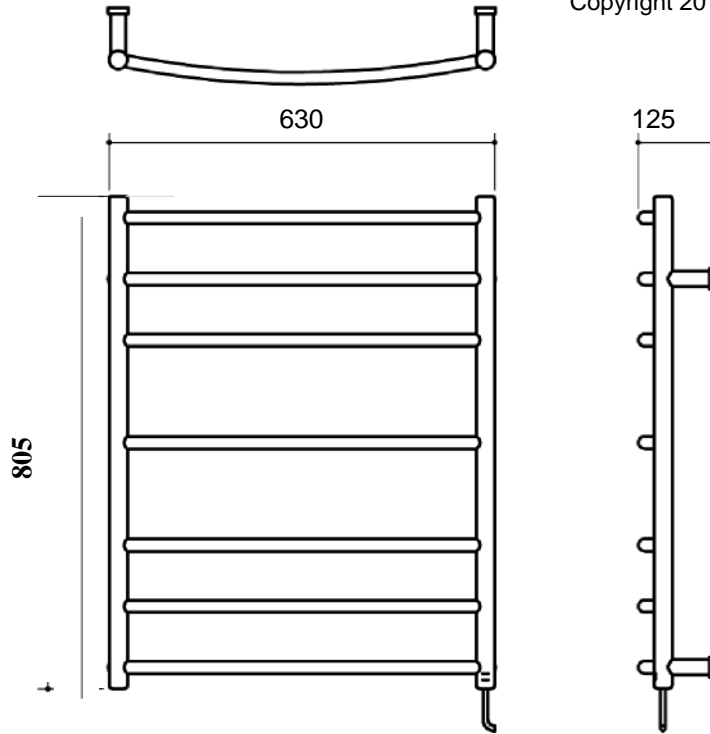
Model CC7

Classic Connection 7 Bar curved rail with CMS (cord management system) light and ECO switch

Heater Dimensions

Width:	630mm
Height:	805mm
Depth:	125mm
Weight:	2.5 kg

Copyright 2017 Serene Industries Limited



Electrical Specifications

Supply:	230-240 Volts a.c. 50 Hz
Wattage:	65-70 Watts
Wiring:	0.9 metre 2-core supply cord No plug

Concealed cord entry. Double insulated - Class II

Ingress Protection Rating: IPX 34 - Splash-proof

Operation

Designed for continuous running

Features

Round tubular polished stainless steel frame

4 stainless steel wall mounting brackets

Blue LED power indicator/night light

Eco switch

CMS cord management system

Finish

Polished stainless steel frame, with chrome plated fittings and white supply cord.

Approval

Certificate of Suitability: CS8774N

Serene Industries Limited reserve the right to alter specifications without notice.

Contact Information:

New Zealand

t: +64 (3) 344 5550 | f: 0800 437 264

Australia

t: +61 (3) 8354 4133 | f: + 61 (3) 9699 6422

