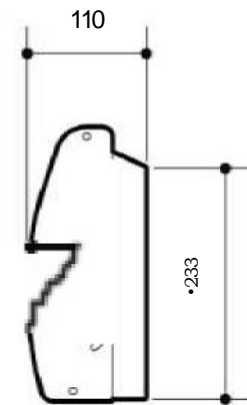
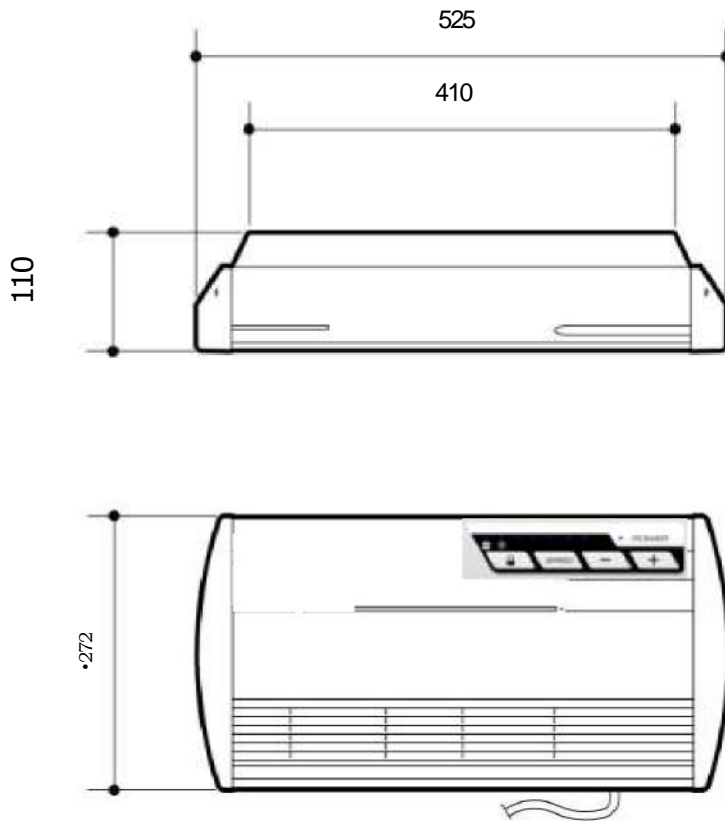


Specification S2055

SERENE 2.4kW Surface Mounted Fan Heater

Heater Dimensions	
Width:	525mm
Height:	272mm
Depth:	110mm
Weight:	4.6 kg

Copyright © 2014 Serene Industries Limited



Electrical Specifications

Supply:	230-240 Volts a.c.. 50 Hz
Wattage:	2200-2400 Watts on HIGH setting 1100-1200 Watts on LOW setting
Wiring:	1.8 metre cord set

Electronic Controller Functions

START and STOP	CONTINUOUS HIGH
5 FAN SPEEDS	ELECTRONIC THERMOSTAT
5 HEATS	FUNCTION LOCK
FREEZE GUARD	LED INDICATOR
COLD FAN ONLY	STAND- BY SWITCH

Features

- Push button electronic controller
- Tangential fan. Brushless Motor.
- Built-in safety cutout and fusible link
- Fits Skope 989E mounting centers for ease of installation

Finish

Stone white' powder coated metal body with silver moldings and electronic touch controller Grey anodised aluminium grille and white cord set.

Approval

Fully SAA compliant.

SERENE Industries Limited reserve the right to alter specifications without notice.



Contact Information:

New Zealand
t: +64 (3) 344 5550 | f: 0800 437 264
Australia
t: +61 (3) 8354 4133 | f: + 61 (3) 9699 6422

