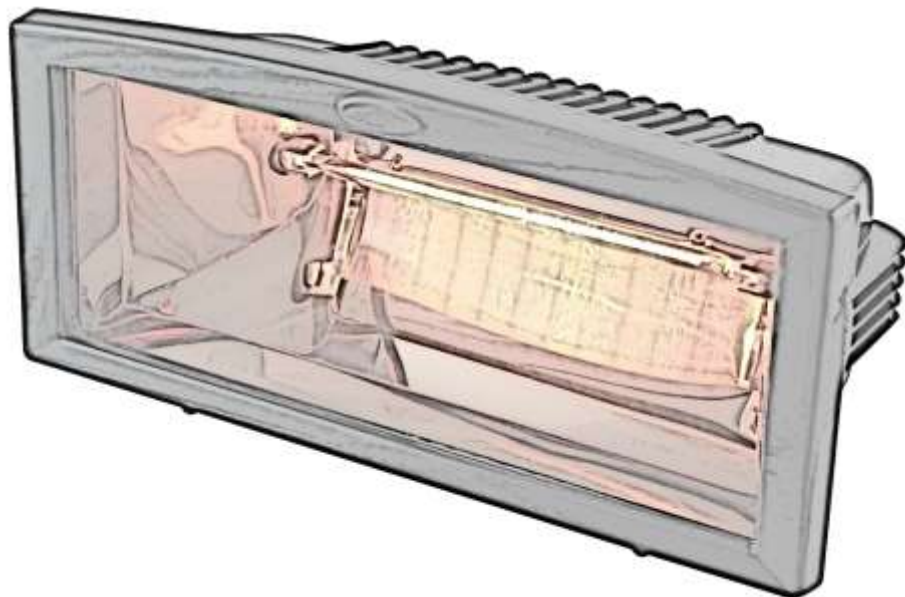


S6068 Sorroco

Infrared Outdoor Heater

Instructions & Operation Manual



Safety Information:



This appliance is not intended for use by persons (including children) with reduced physical, sensory or mental capabilities, or lack of experience and knowledge, unless they have been given supervision or instruction concerning use of the appliance by a person responsible for their safety.

When using any electrical appliance, safety precautions should always be observed. Read these instructions carefully, and retain for future reference.

When used by, or near, young children or infirm persons, supervision is necessary. Young children should be supervised to ensure that they do not play with the appliance.

- Use this appliance only with the voltage specified on rating label.
- Do **NOT** use this appliance other than for its intended use.
- Do **NOT** touch hot surfaces or moving parts.
- Do **NOT** cover the grilles or place any object or material up against the unit, as this may block entry or exhaust of air.
- Do **NOT** probe any opening.

To ensure trouble free performance it is recommended that on a regular basis the unit be isolated from the power supply and a vacuum cleaner used to remove dust from the inlet and outlet grilles.

Caution:

When the heater is operated ensure the heater is not obstructed in any way. Ensure the heater can operate safely, should the heater switch on when the ambient temperature drops, or a timer activates the heater.

- Do **NOT** allow the supply cord to come into contact with heated surfaces during operation.
- Regulations require that electrical work be carried out by authorised persons. For your own safety and that of others, ensure this is done.
- If the supply cord becomes damaged, it must be replaced by a qualified person, in order to avoid a hazard.

Installation

For additional protection the installation of a residual current device (RCD) is recommended. (Refer to local electrical regulations)

Remove all packaging e. material (and check the appliance, supply cord and the plug for signs of damage

Pay attention to the mounting place and all mounting material. Ensure they are suitable and stable enough for mounting and holding the appliance on your chosen surface.

Before mounting, the minimum safe mounting distances and tilt angles shown in the figures must be strictly followed.

The distance between the bottom edge of the appliance and the floor must be at least 2.5 M.

There must be a distance of at least 0.5 M between the appliance and the ceilings, roofs or other covers. If the covers consist of flammable material, such as wooden ceilings, wooden roofs etc., the distance at least **1 M must always be maintained.**

There must be a distance of at least 1.5 M at each side between the appliance and walls or the like. See figure 3.

The max. degree to horizontal is 60° and the min. degree is 40°. See figure 4.

The infrared heater could also be swung from left to right. The max. swing degree is 25°.

Pay attention that, the installation of the appliance must not add excessive wind load.

Fix the wall mounting bracket on the wall first. Ensure that the place to be installed is secure and firm.

Assemble the appliance onto the mounting bracket. Adjust the desired angle of radiation and screw in all screws.

Check regularly the screws' connection. Mechanical bearing pressure and oscillation due to wind or rain could lead to loosened screws.

Connect the power source. Observe whether during the first 10-15 minutes the appliance is functioning.

Installation

Figure 1: Mounting bracket (wall bracket) and anchor dowels provided



Figure 2: Connection from wall bracket to the infrared heater with the max. Side angle.



Figure 3: Min. distance to floor, ceiling and wall

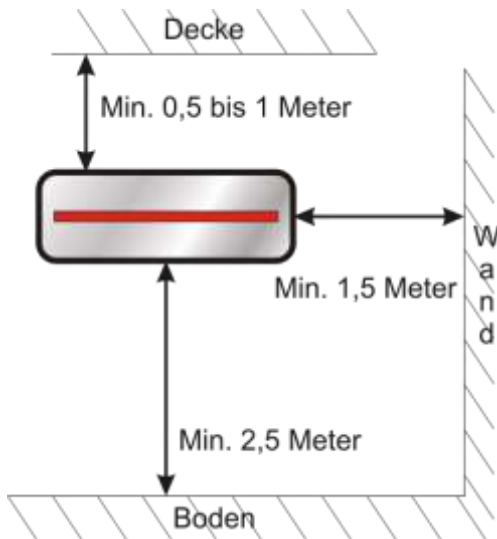
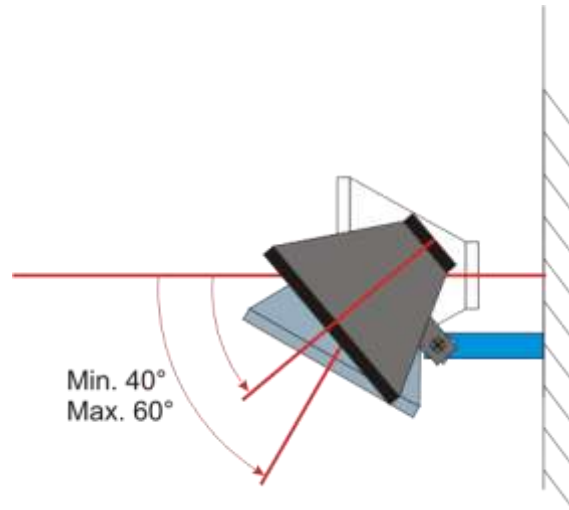


Figure 4: Minimal and maximal tilt angle



Specifications

Specification	Model S2068
Voltage (V)	220-240~
Power consumption (W)	1200
Dimensions W x H x D (mm)	400X190X306mm
Weight (kg)	3.7
IP protection	IP54

Cleaning and Maintenance

This appliance is constructed of a robust and maintenance-free aluminum casing with a cover of toughened glass. There are no user serviceable parts inside.

Before cleaning remove the plug from the power outlet (if fitted) and wait until the appliance is sufficiently cool.

Wipe the appliance only with clean and lint-free cloth or a soft brush.

Caution! Before the next use the unit must be dry.

Never use abrasive cleaners, scrubbing brushes and chemical cleaners for cleaning!

Never use flammable cleaners such as benzine or spirits.

To protect against electrical shock do not immerse cord, plug, or any part of the appliance in water or other liquid.

For heating element replacement please contact Serene Industries Limited or a properly qualified service person.

Recommended Disposal



In accordance with the European Directive 2011/65/EU (not yet mandated in AU and NZ) concerning used electrical and electronic appliances please return any electrical equipment that you will no longer use to suitable waste collection points provided for their disposal.

This symbol indicates that the appliance should not be treated as normal domestic trash.

Contacts:

HONG KONG

Head Office - Serene Industries Limited

t: +852 2325 3209

f: +852 2325 3166

e: info@serene-ind.com

w: www.serene-ind.com

Suite 1010, 15F, Block A, Alexander Industrial Building, 62 King Lam Street,

Cheung Sha Wan, Kowloon Hong Kong SAR

NEW ZEALAND

t: (+) 64 (3) 344 5550

f: 0800 437 264- Freefax

e: nzenquiry@sereneind.com

w: www.serene-ind.com

PO BOX 33501, Barrington, Christchurch 8024

AUSTRALIA

t: + 61 (3) 8354 4133

f: + 61 (3) 9699 6422

fp: +1800 561 961- Freephone

e: enquiries@serene-australia.com

w: www.serene-australia.com

Suite 201 / 175B Stephen Street, Yarraville

Melbourne VIC 3013