

Specification

Simplice' Model SS5

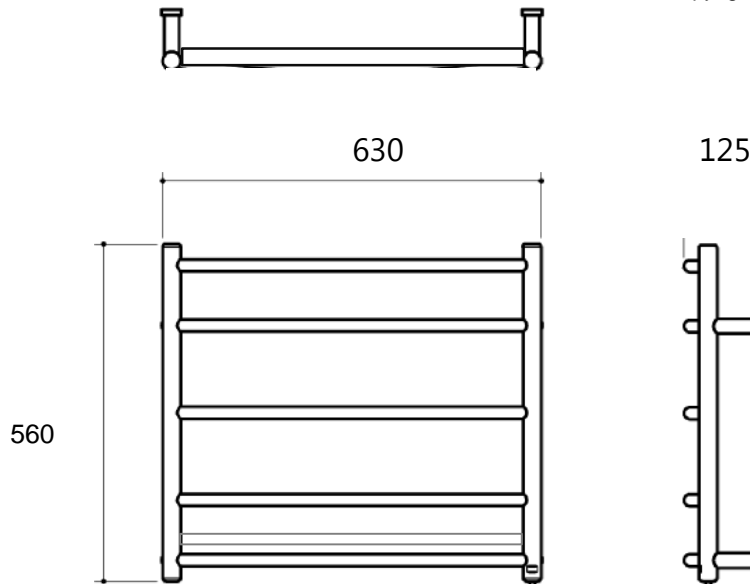
Instant Universal Fitting Square 5 Bar rail with Light and ECO switch.

Square 5 Bar Fully Welded Bright Polished Stainless Steel Heated Ladder Towel Rail

Heater Dimensions

Width:	630mm
Height:	560mm
Depth:	125mm
Weight:	2.2 kg

Copyright © 2018 Serene Industries Limited



Electrical Specifications

Supply:	230-240 Volts a.c. 50 Hz
Wattage:	45-50 Watts
Wiring:	0.9 meter 2-core supply cord No plug

Instant universal fitting. Concealed cord entry
Double insulated - Class II

Ingress Protection Rating: IP34 - Splash-proof

Operation

Designed for continuous running

Features

Fully welded Square tubular bright polished stainless steel frame

4 stainless steel wall mounting brackets

Simplice' instant cord connection. ECO switch Light

Finish

Bright Polished stainless steel square frame, with chrome plated fittings and white supply cord.

Approval

Certificate of Suitability: CS8774N

Contact Information:

New Zealand

t: +64 (3) 344 5550 | f: 0800 437 264

