

Specification

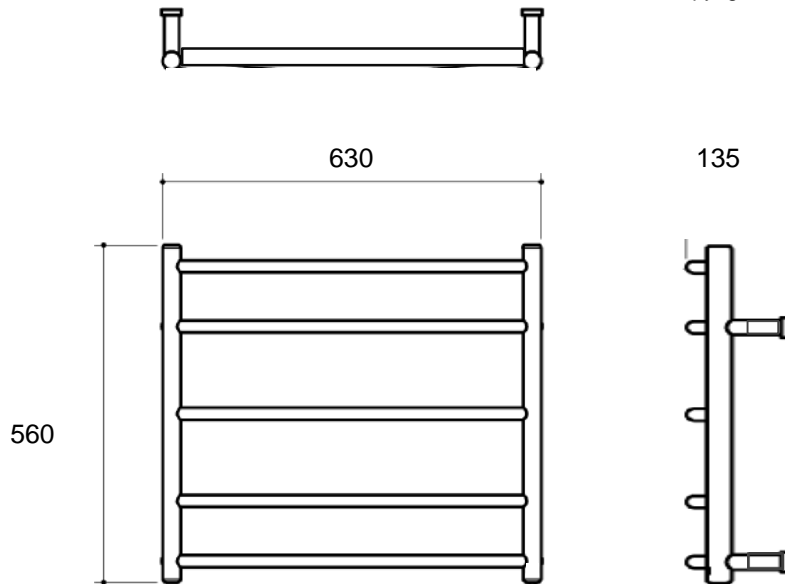
Trade Connect 5 Bar Rail with Cord Management System Model TC5

5 Bar Bright Polished Stainless Steel Heated Ladder Towel Rail with CMS (Left Right or Center cord)

Heater Dimensions

Width:	630mm
Height:	560mm
Depth:	135mm
Weight:	2.0 kg

Copyright © 2016 Serene Industries Limited



Electrical Specifications

Supply:	230-240 Volts a.c. 50 Hz
Wattage:	45-50 Watts
Wiring:	1.3 metre 2-core supply cord No plug.

Cord management System Concealed cord entry Double insulated - Class II

Ingress Protection Rating: IP54 - Splash-proof

Operation

Designed for continuous running

Features

Round tubular bright polished stainless steel frame

4 stainless steel wall mounting brackets with extra depth

Cord Management System

Finish

Bright Polished stainless steel frame, with chrome plated fittings and white supply cord.

Approval

Certificate of Suitability: CS8774N

Contact Information:

New Zealand

t: +64 (3) 344 5550 | f: 0800 437 264

Australia

t: +61 (3) 8354 4133 | f: + 61 (3) 9699 6422

