

# Operating & Installation Manual



## Serene Model S7070 Entertaining Light - PIR

# Safety Information:



**This appliance is not intended for use by persons (including children) with reduced physical, sensory or mental capabilities, or lack of experience and knowledge, unless they have been given supervision or instruction concerning use of the appliance by a person responsible for their safety.**

When using any electrical appliance, safety precautions should always be observed.

**READ THESE INSTRUCTIONS CAREFULLY, AND RETAIN FOR FUTURE REFERENCE.**

**When used by, or near, young children or infirm persons, supervision is necessary. Young children should be supervised to ensure that they do not play with the appliance.**

- Use this appliance only with the voltage specified on rating label.
- Do **NOT** use this appliance other than for its intended use.
- Do **NOT** touch hot surfaces or moving parts.
- Do **NOT** cover the grilles or place any object or material up against the unit.
- Do **NOT** probe any opening.

## **Caution:**

**When the unit is operated ensure that FRESCO is not obstructed in any way.**

- Do **NOT** allow the supply cord to come into contact with heated surfaces during operation.
- Regulations require that electrical work be carried out by authorised persons. For your own safety and that of others, ensure this is done.
- If the supply cord becomes damaged, it must be replaced by a qualified person in order to avoid a hazard.

## Installation:

Remove all packaging material and check the appliance, supply cord and the plug (if fitted) for signs of damage.

Fresco is very simple and fast to install.

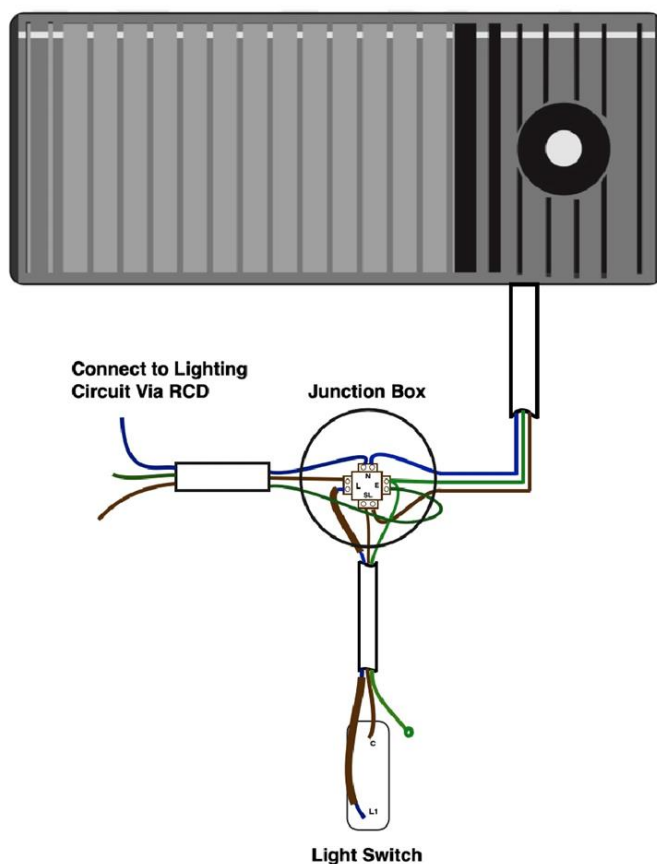
Two heavy duty di-cast aluminium omni directional brackets are supplied with the unit.

The adjustable main bracket is pre – fitted and the extension bracket that allows lateral adjustment is simple to fit using the screws provided.

Pay attention to the mounting place and any additional mounting materials being used to ensure they are suitable and stable enough for mounting and holding the appliance on your chosen surface.

FRESCO should be connected to the building lighting circuit. (protection by an RCD is advised).

We also recommend fitting an inline switch as per the diagram below



(Fig 2)

## **Before mounting:**

The minimum safe mounting distances and tilt angles shown in the figures below are recommended.

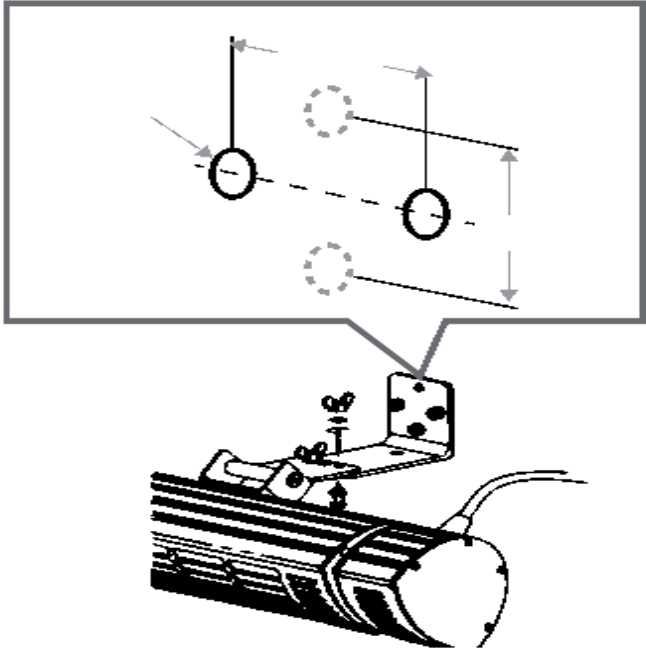
1. The distance between the bottom edge of the appliance and the floor must be at least 1.0 M.
2. There should be a distance of at least 0.4M between the appliance and ceilings, roofs or other covers.
3. There should be a distance of at least 0.3 M at each side between the appliance and any out-jutting walls etc..
- 4 .Recommended degree to mounting surface is 45°. **(Fig3)**
5. The maximum swing degree is 90°
6. Fix the mounting bracket on the wall first ensuring that the area of installation is secure and firm. **(Fig.1)**

## **After mounting:**

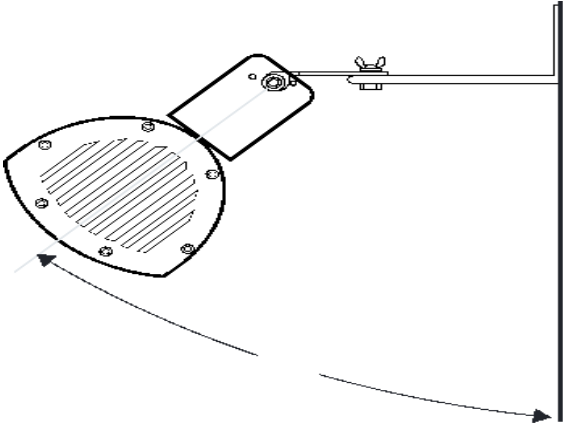
1. Adjust to the desired angle and tighten all of the screws. Check from time to time as the screws' may loosen due to vibrations caused by wind or building movement.
2. Plug or directly wire into your power source. **(Fig 2 )**
3. Check to ensure that FRESCO is working.

# Installation (cont)

**Figure 1:** Mounting bracket (wall bracket) and raw plugs provided. Connection from the wall to the unit..



**Figure 3:** Mounting bracket (wall bracket) and raw plugs provided. Connection from the wall to Fresco.



## Specifications:

### Model S 7070 FRESCO

Weight (kg) 2.25Kg

Remote Control distance (m) 6-8 M

### Technical Specification:

|                           |   |
|---------------------------|---|
| Wattage                   | Interlaced 28 + 28 Watt LED Array   |
| Voltage                   | 110V to 250V AV   |
| Power Factor              | >95%  |
| Efficiency                | >85%  |
| Standby Power Consumption | Zero  |
| Maximum Wattage           | 50W   |
| Maximum Current           | 0.2 Amp@250V Note: start-up current can be 10x that of quiescent current. |
| Colour Temperature        | 3K to 7K  |
| PIR Range                 | 12 meters   |
| Material                  | Cast and extruded Brushed aluminium                                       |
| Vandal Resistant          | Yes   |
| Lens                      | Acrylic   |
| Driver                    | Twin 28W Driver   |
| Control                   | Remote Control Handset.   |

## **Additional Information:**

- IP Rating - IP56
- Lamp Specification and Model : Seoul-Semi Conductor 28W Interlaced
- Lumens - 140 Lumens per watt.  $28 \times 140 = 3,920\text{lm}$   
( depends on rendering / output)
- PIR Detection -130 degrees  
Range – 10 meters Dusk  
Control 20 lux

## **Remote Control Operation:**

The remote control is the means by which FRESCO is adjusted and set to the user's desired functions.

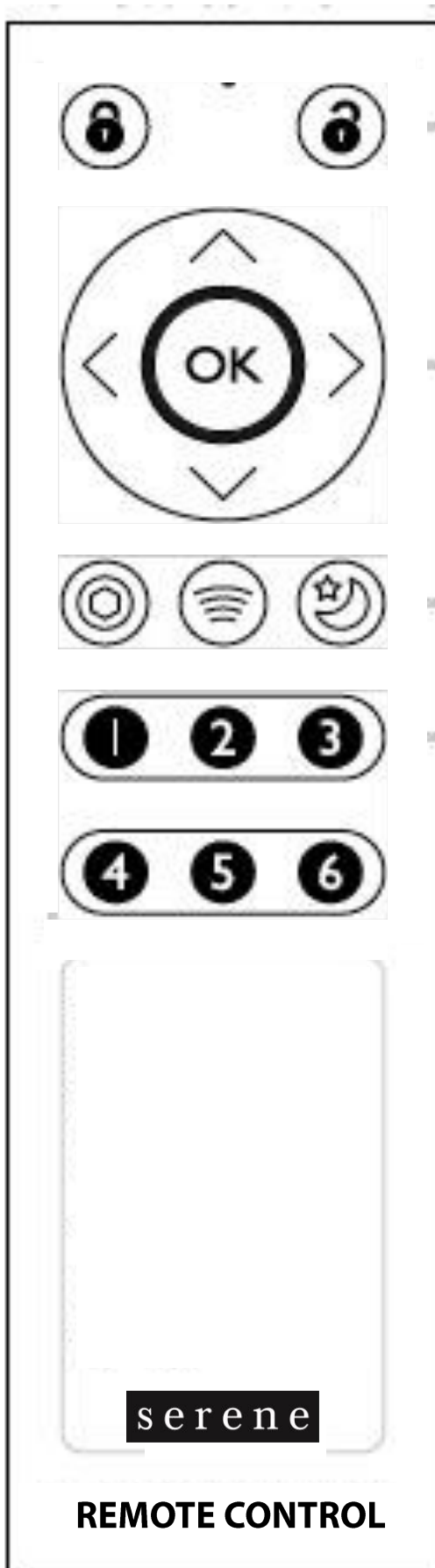
It is battery powered and from a range 8-10 meters the user can set up the functions remotely.

Always keep the remote control in a dry place.

## **Functions:**

- **Controllable Entertaining light-** Adjustable Colour and Brightness
- **PIR - passive infrared sensor -** Sensor activated
- **Worklight -** Adjustable function
- **Security light Dusk – Dawn -** Sensor activated
- **Controllable brightness -** All functions

# Remote Control Operation (cont.)



## Functions:

Lock/Unlock Pad

ON/OFF  
Colour Temperature Adjustment  
Brightness Pad

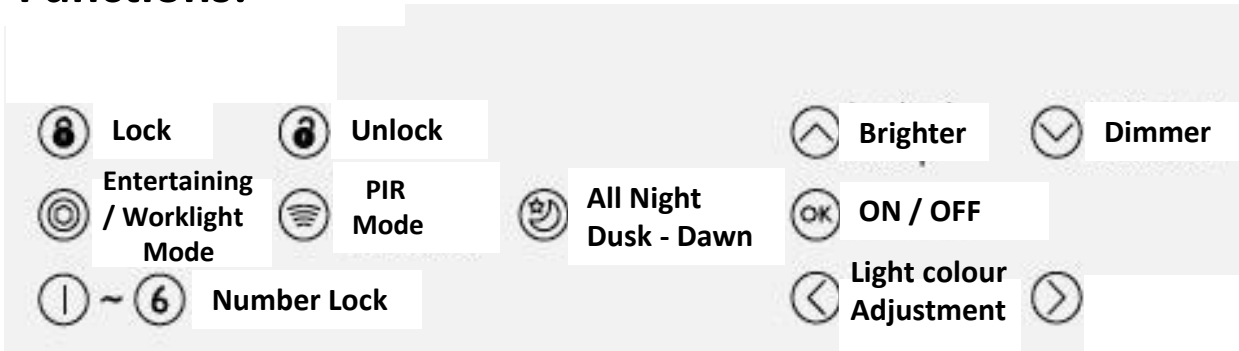
Mode Pad Icons  
(Work light/PIR/All Night)


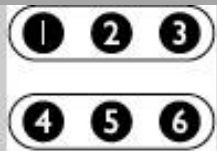
Number Function Pad

**REMOTE CONTROL**



# Key Functions:



|   | FUNCTION  | ACTION BY USER   | REMARKS  |
|---|---|--|--|
| 1 | TO START  | PLUG IN OR TURN POWER ON.  | UNIT LIGHTS AT FULL BRIGHTNESS AND COLOUR TEMPERATURE  |
| 2 | POWER OFF/ON  | PRESS 'OK'   | LIGHT FLASHES TWICE AND TURNS OFF.<br>UNIT IS NOW IN STAND-BY MODE.  |
| 3 | 'ENTERTAINING LIGHT' OR 'WORKLIGHT' MODE  | PRESS OK AND THEN 'ENTERTAINING /WORKLIGHT' BUTTON   | LIGHT COMES ON AND WILL STAY ON.<br>THE LIGHT WILL HAVE THE SAME BRIGHTNESS AND LIGHT COLOUR AS WHEN IT WAS TURNED OFF.  |
| 4 | ALL NIGHT DUSK - DAWN   | 'ALL NIGHT' BUTTON   | LIGHT FLASHES ONCE.<br>IF IT IS DARK THE LIGHT WILL WAIT 30 SECONDS THEN COME ON.  |
| 5 | ADJUSTING THE LIGHT INTENCITY AND COLOUR  |                                       | ONCE THE LIGHT IS ON ADJUST THE LIGHT PROPERTIES BY PRESSING THE ARROWS.   |
| 6 | PIR MODE<br> | PRESS PIR ICON ONCE.<br><br>THEN 1-6 ON THE NUMBER PAD TO SET THE TIME.<br>THE LIGHT WILL STAY ON AFTER BEING TRIGGERED. | THE DEFAULT SETTING IS "LIGHT ON" FOR 60 SECONDS. WHEN THE PIR IS TRIGGERED.<br>TO CHANGE THE TIME PRESS ANY NUMBER.<br><br>1 – 10 SECONDS<br>2 - 30 SECONDS<br>3 – 45 SECONDS<br>4 – 60 SECONDS<br>5 - 120 SECONDS<br>6 - 300 SECONDS |
| 7 | LOCKING CODE  | PRESS 'LOCK' ONCE PLUS A 6 DIGIT PASSWORD TO LOCK FRESCO.<br><u>REMEMBER PASSWORD</u>                                    | LIGHT WILL FLASH THREE TIMES<br>UNIT IS THEN LOCKED  |
| 8 | UNLOCKING   | PRESS 'UNLOCK' PLUS SAME 6 DIGIT PASSWORD TO UNLOCK THE UNIT.  | LIGHT WILL FLASH THREE TIMES<br>FRESCO IS THEN UNLOCKED  |
| 9 | RE-SETTING IF PASSWORD LOST   | TURN OFF AT POWER SOURCE AND THEN TURN POWER ON .  | FRESCO WILL RE-SET TO ITS FACTORY SETTINGS AS PER SETTING '1' ABOVE  |

## **Contact:**

### **HONG KONG**

**t: +852 2325 3210**

**f: +852 2325 3166**

**e: [info@serene-ind.com](mailto:info@serene-ind.com)**

**w: [www.serene-ind.com](http://www.serene-ind.com)**

**Suite 1010, 10F, Block A, Alexander Industrial Building,  
62, King Lam Street Cheung Sha Wan, Kowloon, Hong Kong**

### **NEW ZEALAND**

**t: +64 (3) 344 5550**

**ff: 0800 437 264**

**e: [nzenquiry@serene-ind.com](mailto:nzenquiry@serene-ind.com)**

**w: [www.serene-ind.com](http://www.serene-ind.com)**

**PO BOX 33501, Barrington, Christchurch 8024**

### **AUSTRALIA**

**e: [auenquiry@serene-ind.com](mailto:auenquiry@serene-ind.com)**

**w: [www.serene-ind.com](http://www.serene-ind.com)**

### **UNITED KINGDOM**

**t: +44 (0)1624 497794**

**e: [ukenquiry@serene-ind.com](mailto:ukenquiry@serene-ind.com)**

**w: [www.serene-ind.com](http://www.serene-ind.com)**

**Rowhead House, Far Common Road  
Mirfield, West Yorkshire WF140DQ**