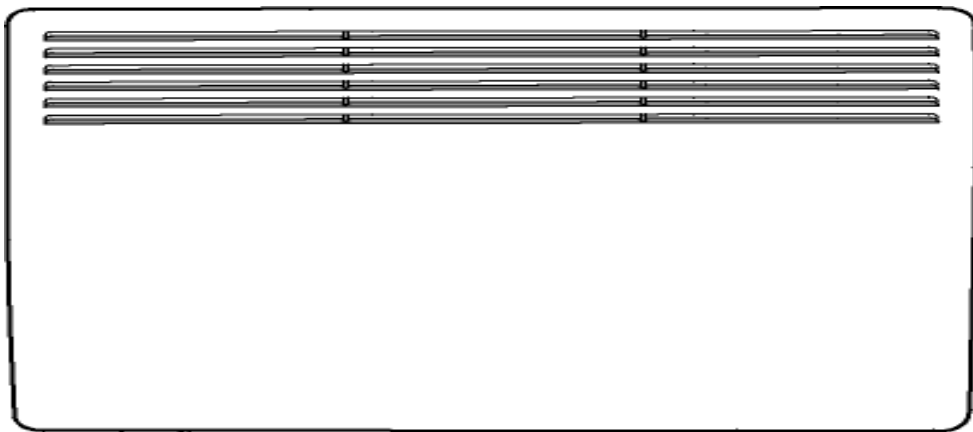


Instructions & Operation Manual



**Serenity Panel Heater
Model S2220**

Safety Information:



This appliance is not intended for use by persons (including children) with reduced physical, sensory or mental capabilities, or lack of experience and knowledge, unless they have been given supervision or instruction concerning use of the appliance by a person responsible for their safety.

When using any electrical appliance, safety precautions should always be observed. Read these instructions carefully, and retain for future reference.

When used by, or near, young children or infirm persons, supervision is necessary. Young children should be supervised to ensure that they do not play with the appliance.

- Use this appliance only with the voltage specified on rating label.
- Do NOT use this appliance other than for its intended use.
- Do NOT touch hot surfaces or moving parts.
- Do NOT cover the grilles or place any object or material up against the unit, as this may block entry or exhaust of air.
- Do NOT probe any opening.

To ensure trouble free performance it is recommended that on a regular basis the unit be isolated from the power supply and a vacuum cleaner used to remove dust from the inlet and outlet grilles.

Caution:

When the heater is operated ensure the heater is not obstructed in any way. Ensure the heater can operate safely, should the heater switch on when the ambient temperature drops, or a timer activates the heater.

- Do NOT allow the supply cord to come into contact with heated surfaces during operation.
- Regulations require that electrical work be carried out by authorised persons. For your own safety and that of others, ensure this is done.
- If the supply cord becomes damaged, it must be replaced by a qualified person, in order to avoid a hazard.

Introduction

Serenity Heating Panels

Serenity S2220 Convection Heating Panels are available as 1000 Watt and 2000 Watt models providing you with the opportunity to choose a model that will optimise the available wall space and room size.

Our new designs have passed rigorous testing and quality assurance controls with both style and safety in mind. As a result, they have a slim profile, are double insulated, include auto reset overheat protection and are supplied with wall mounting brackets for simple installation.

These Serenity convection Heating Panels with easy to use top mounted controls feature:

- Fully adjustable thermostat control.
- Simple to use 2 level heat control.

SAFETY CUT-OUT:

Serene Convection heating panels are fitted with an auto-reset thermal cut-out. This safety device will automatically switch off the elements should the heater reach an abnormal temperature.

Should this occur: switch off the heater immediately and allow the heater to cool-down. Overheating is normally caused by blockage of the air vents or by the vents being covered.

NEVER COVER THE HEATING PANEL OR ANY OF THE VENTS.

To clean the vents use a vacuum cleaner as necessary.

CONNECTION DETAILS:

The heater is supplied with a flex and 3 pin plug. For single operation the heater can be plugged directly into a socket outlet.

For permanent connection to fixed wiring, the plug (if fitted) must be removed wire must be connected to a potential free terminal in a switched permanent connection unit.

INSTALLATION:

This appliance must be installed in accordance with the current electrical wiring rules and regulations.

The heater must not be located immediately below a socket-outlet. A suitable disconnection device

(acting in all active supplies) is required to be incorporated in the fixed supply wiring.

When used as a bathroom, the heater must be installed such that the controls cannot be touched by a person in the bath or shower.

IP rating IP24

The minimum required distance from the heater to any floor is 150mm. The minimum required distance from the heater to any adjacent wall is 200mm.

WALL MOUNTING INSTRUCTIONS:

The heater is fixed on the wall with the mounting bracket attached to back of the heater.

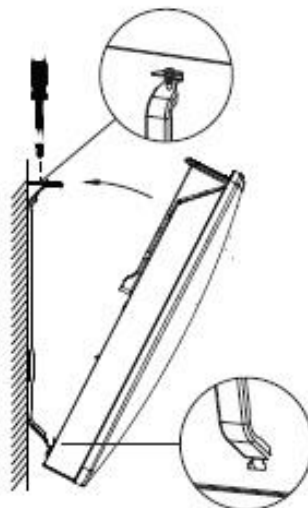
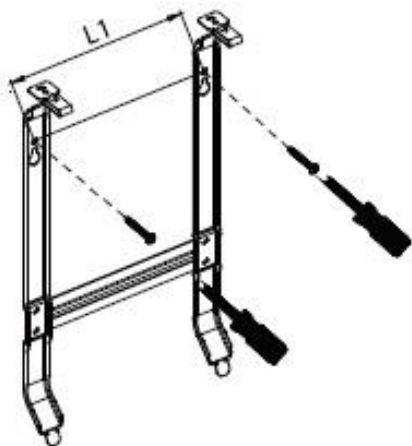
TO SECURE MOUNTING BRACKET TO THE WALL:

- Remove the wall mounting bracket from the back of the heater, by compressing the fittings at the top and/or sides of the bracket, which clip into the heater body.
- Place the mounting bracket against the wall, ensuring the bracket is level and the minimum distance between the heater and the adjacent surfaces are adhered to'
- Mark and drill the fixing holes at the top and bottom of the mounting bracket, and attached to the wall with suitable screws and/or wall anchor.
- Locate the heater over the bottom clips of the wall bracket and then push the heater securely into the fittings on the top and/or sides of the bracket.

TO REMOVE HEATER FROM THE WALL:

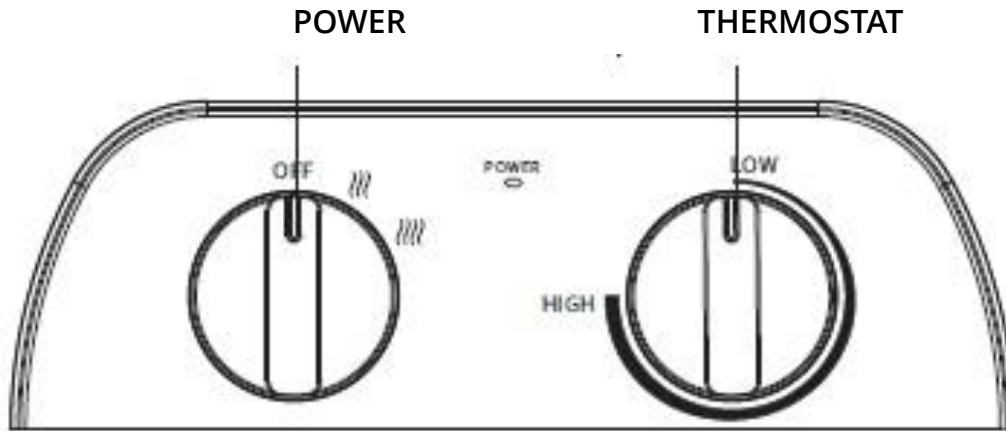
- Using a pointed tip screwdriver, push in and lever out the fittings at the top and/or sides of the wall mounting bracket.
- Lift the heater up and away from the wall.

Wall mounted mode



OPERATION

CONTROL PANEL



- Take out the heater from the carton carefully.
- Make sure that the heater controls are in the OFF position.
- Fix the heater in place according to the mounting instruction above.

CONTROL THE HEATER

- Connect the heater to the mains supply.
- Set the power switch on HIGH .
- Adjust the thermostat control to HIGH.
- The power light will be lit.
- Adjust the POWER and THERMOSTAT controls as needed.

TURNING OFF THE HEATER

- Please set the knob to "OFF"

USER TIPS

CLEANING INSTRUCTIONS

Cleaning behind the heater It is very easy.

- Hold two sides of the heater, pull upwards then pull the heater forwards then you can clean behind it.
- After cleaning, the heater must be returned to the normal position.

SPECIFICATIONS:

MODEL NUMBER: S2220

Rated Power: 2400 Watts

Rated Voltage: 230-240 Volts AC 50Hz

Dimension's (mm)

H - 400 W - 950 D- 90

FINISH:

French white powder coat

WIRING:

Permanent connection or by cord set.

Double insulated, no earth required.

INGRESS PROTECTION RATING:

IP24

Serene Industries Limited reserves the right to alter specifications without notice.

Contact

HONG KONG

t: +852 2325 3210

f: +852 2325 3166

e: info@serene-ind.com

w: www.serene-ind.com

Suite 1010, 15F, Block A, Alexander Industrial Building,
62, King Lam Street Cheung Sha Wan, Kowloon Hong Kong

NEW ZEALAND

t: +64 (3) 344 5550

ff: 0800 437 264

e: nzenquiry@serene-ind.com

w: www.serene-ind.com

PO BOX 33501, Barrington, Christchurch 8024

AUSTRALIA

e: auenquiry@serene-ind.com

w: www.serene-ind.com

UNITED KINGDOM

t: +44 (0)1624 497794

e: ukenquiry@serene-ind.com

w: www.serene-ind.com

Rowhead House, Far Common Road
Mirfield, West Yorkshire WF140DQ